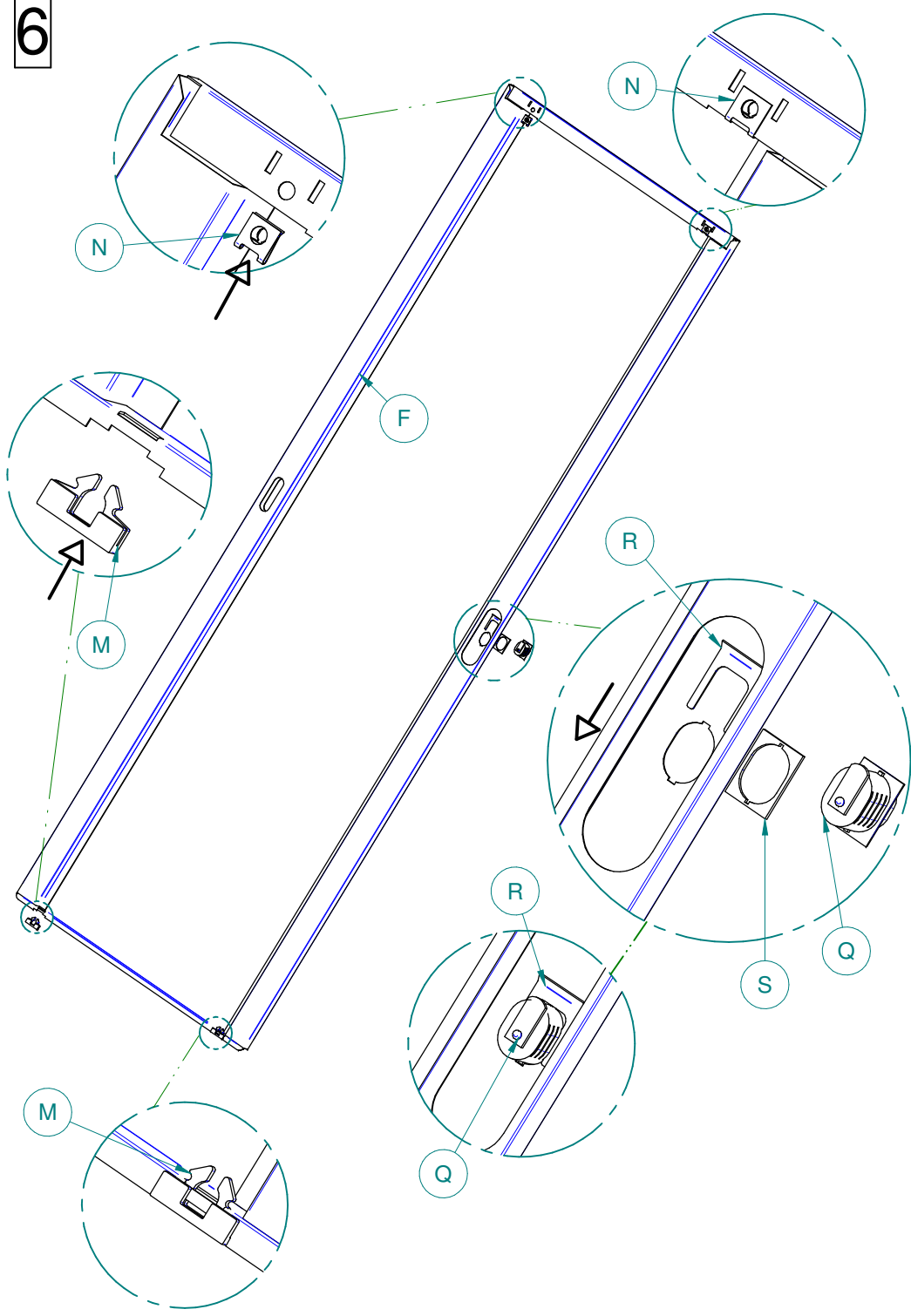
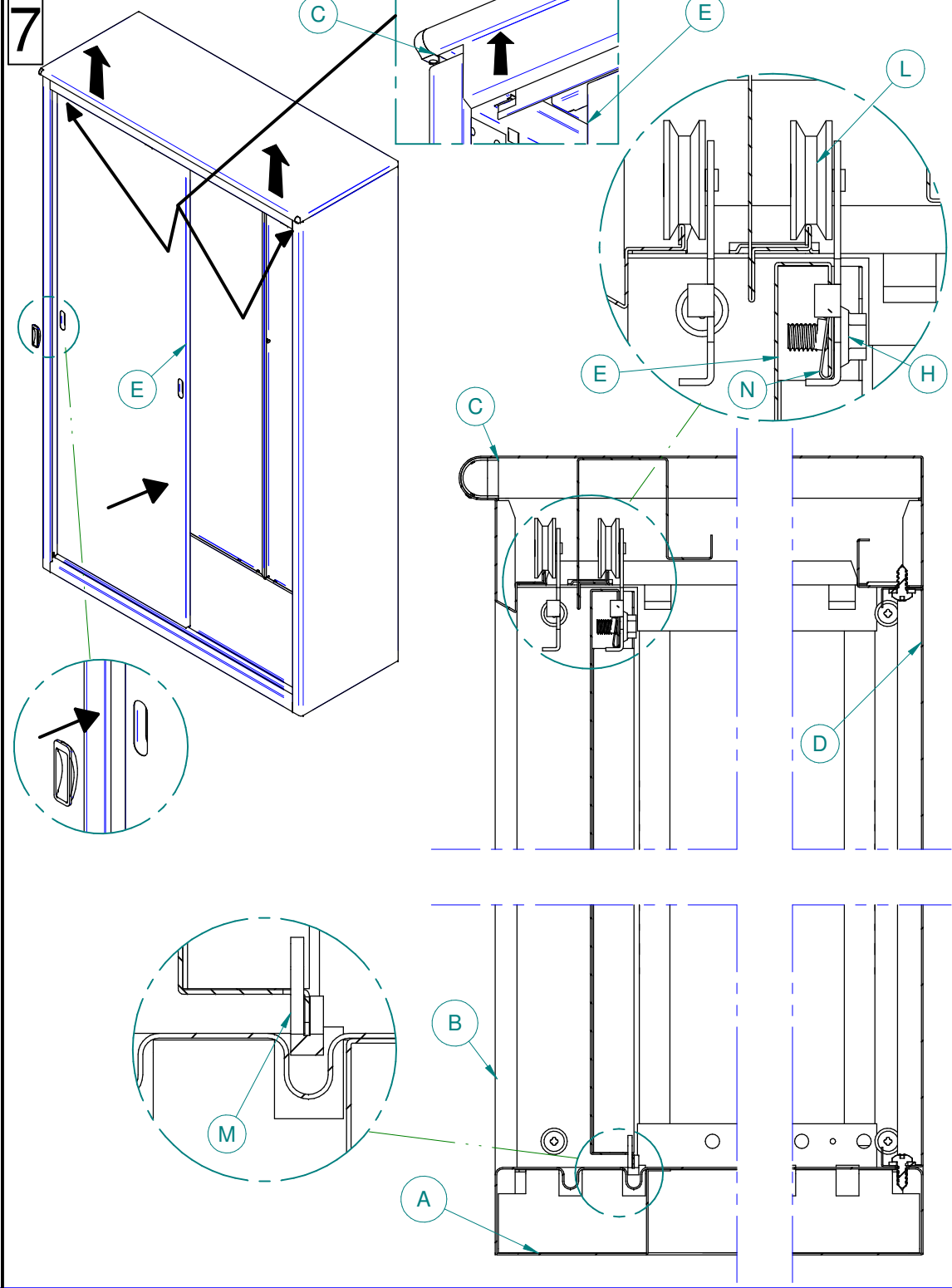


MOD.	H	I	L	M	N	O	P	Q	R	S	T
120x45x200H	4	3	4	4	4	2	16	1	1	1	20
120x45x150H	4	3	4	4	4	2	12	1	1	1	20
120x45x116H	4	0	4	4	4	2	8	1	1	1	20
120x45x85H	4	0	4	4	4	2	4	1	1	1	20
120x45x75H	4	0	4	4	4	2	4	1	1	1	20
120x45x65H	4	0	4	4	4	2	0	1	1	1	20

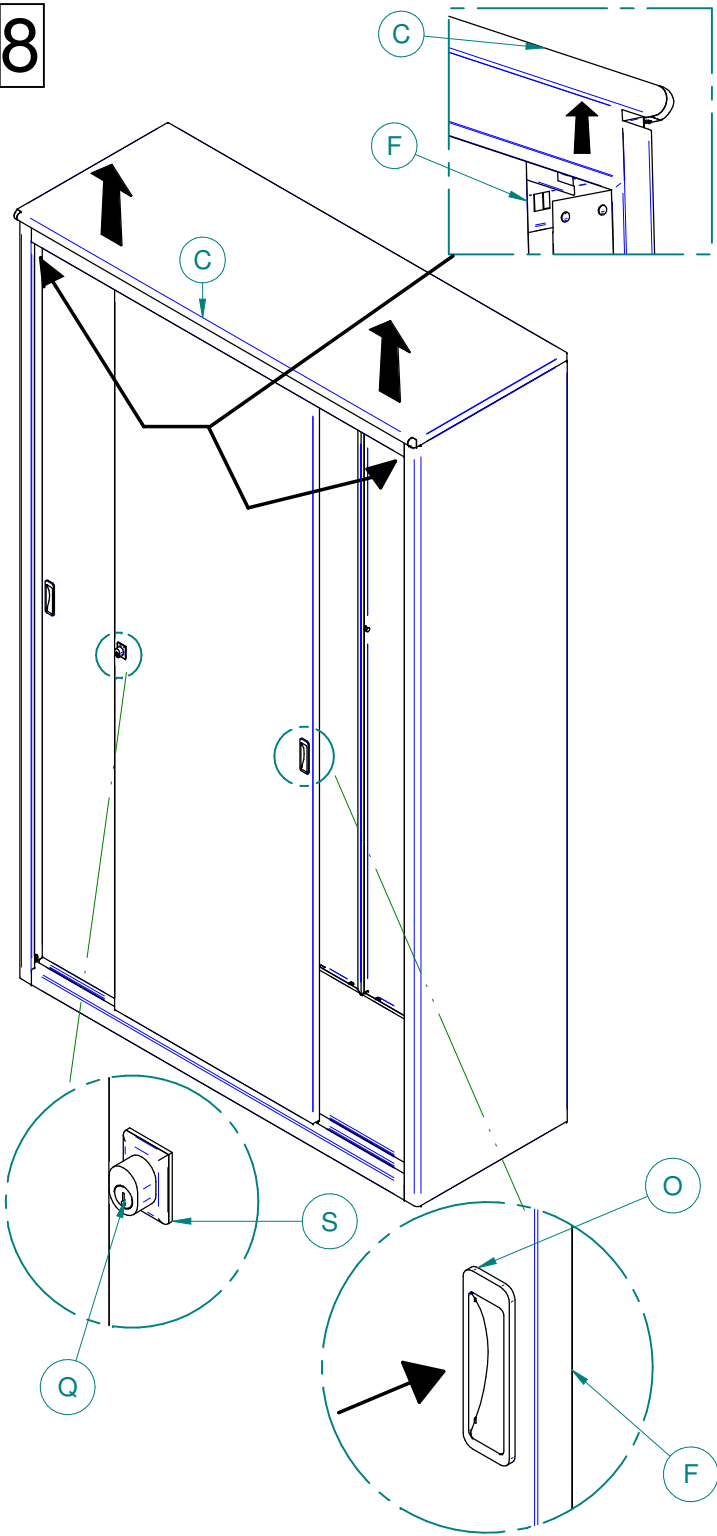
6



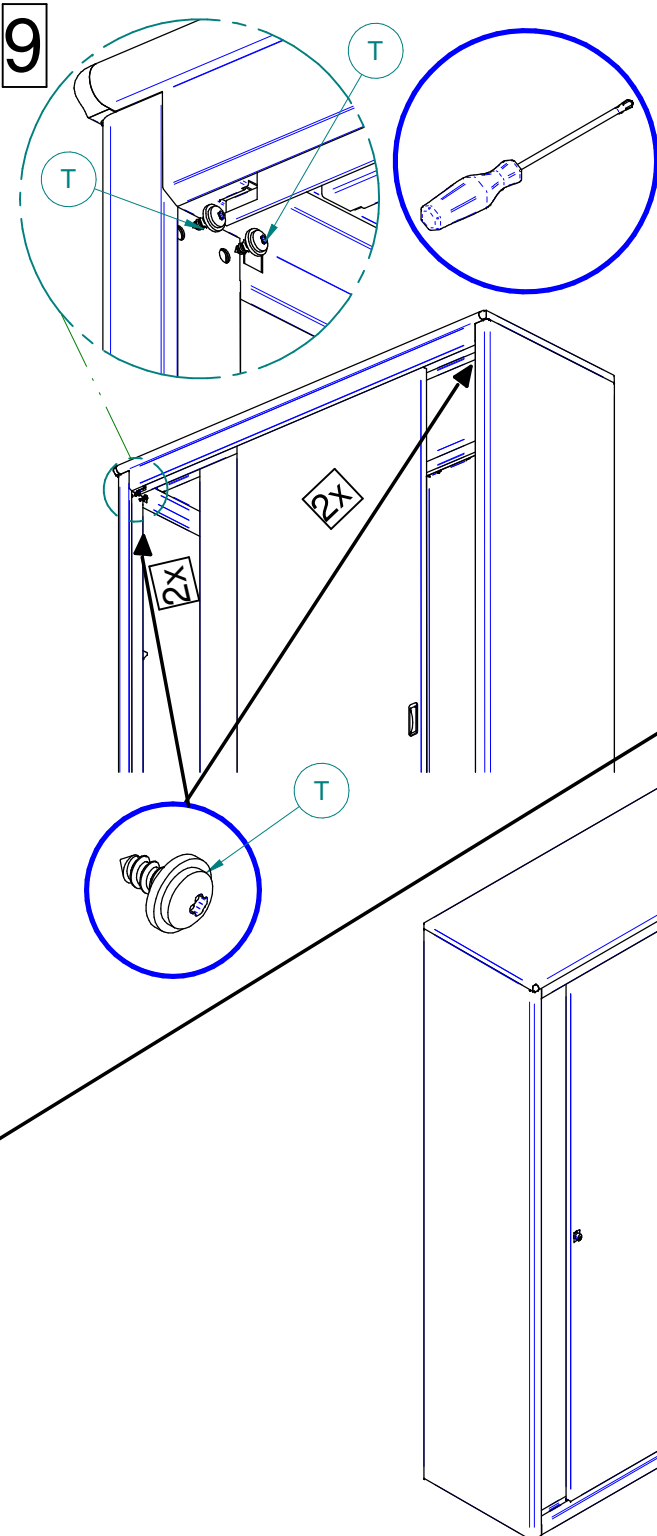
7



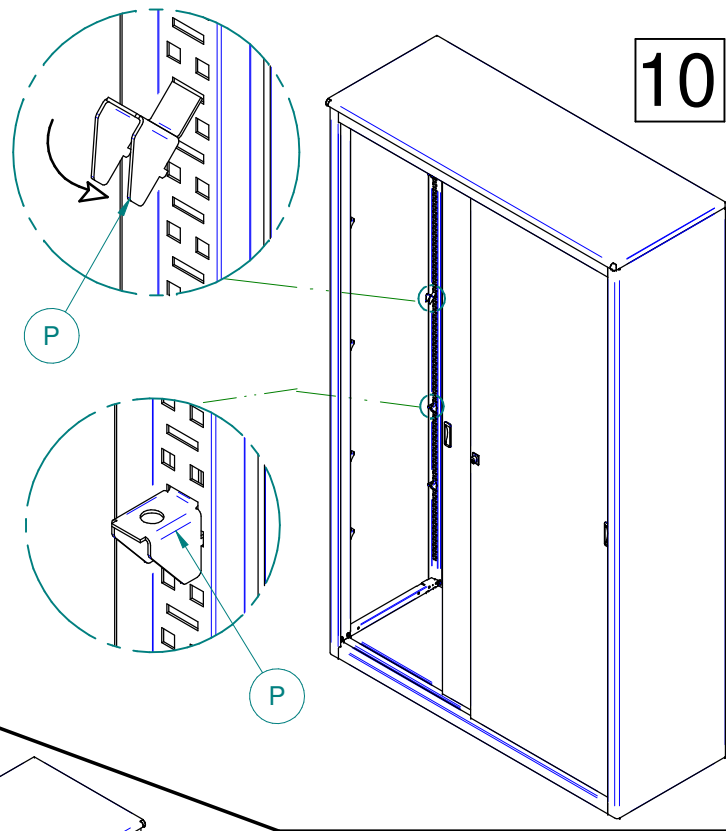
8



9



10



120 X 45 X 200H

11

